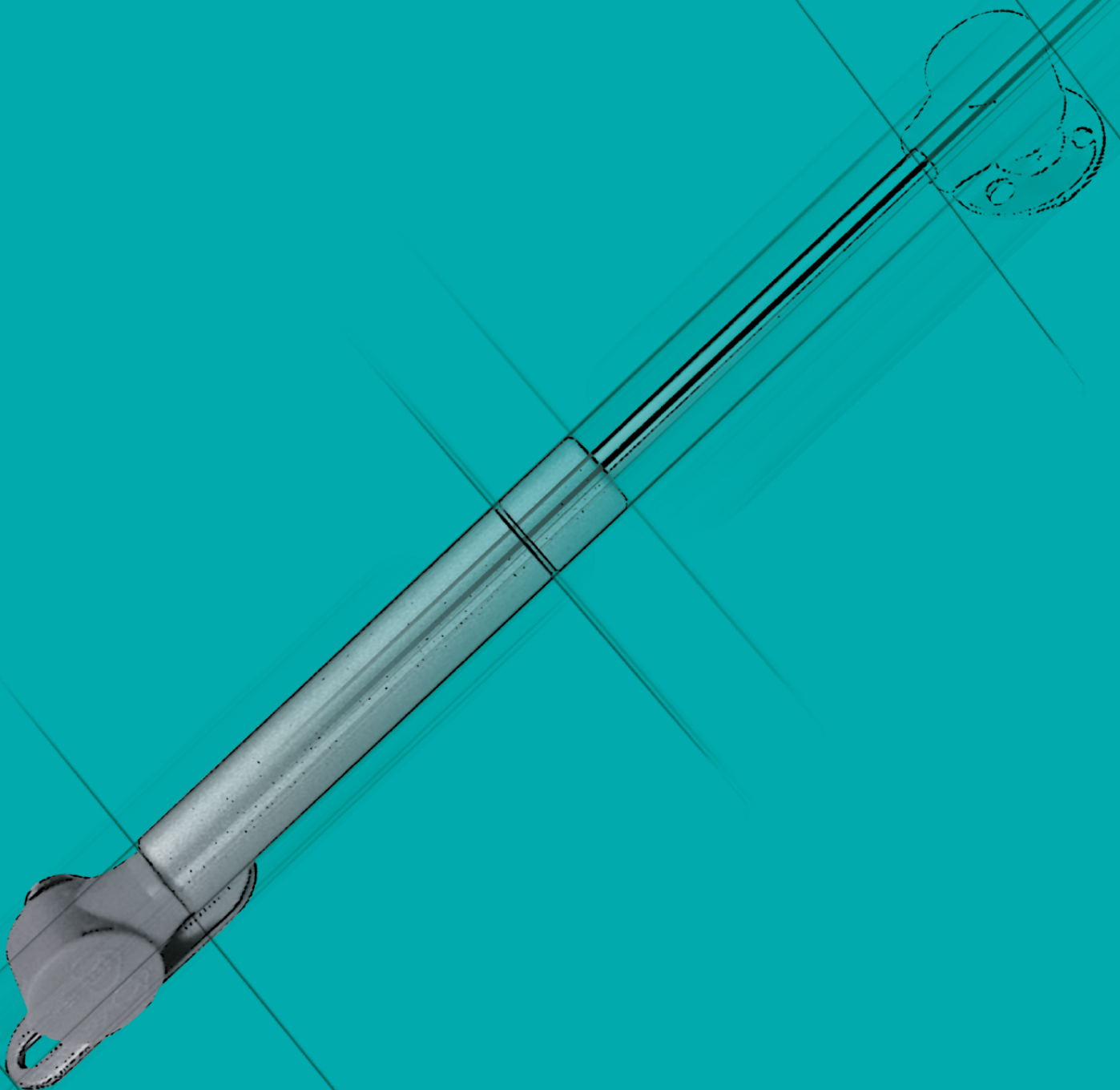




ALTERNATIVE OPENINGS



SWING UP DOOR MECHANISM

Feature : Free Stop Function at any angle
Soft Closing under angle 25° Degree
No need hinges for cabinet

Thickness Door: 16-26mm
Panel Width : Max 1200mm
Max Opening : 107° Degree
Material : Iron
Finishing : Anthracite
UOM : ST



Suitable for both Aluminium & Wooden Door

Panel Height : 400 - 650mm
Loading Capacity : 8-12kgs
Power Factor : 3500-5200

CS AK80.5200.ATC



Panel Height : 300 - 650mm
Loading Capacity : 2.8-7kgs
Power Factor : 1100-2250

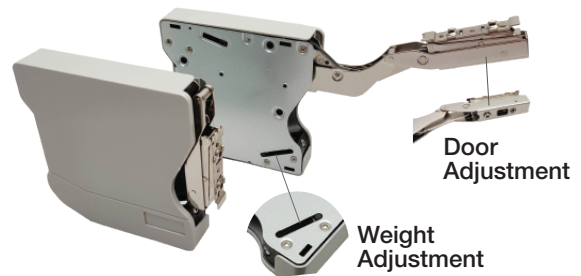
CS AK80.2250.ATC



SWING UP DOOR MECHANISM

Feature : Free Stop Function at any angle
Soft Closing under angle 25° Degree
No need hinges for cabinet
Suitable for both Aluminium & Wooden Door

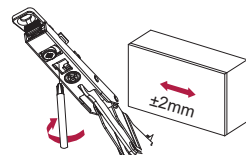
Panel Height : 360-500mm
Panel Width : 600 - 1000mm
Max Opening : 110° Degree
Loading Capacity : 3.9 - 4.8kgs
UOM : ST



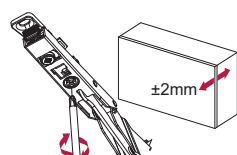
Door Adjustment

Weight Adjustment

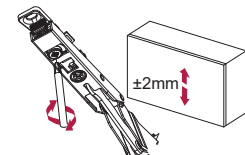
Door Panel 3D Adjustment:-



Left & Right

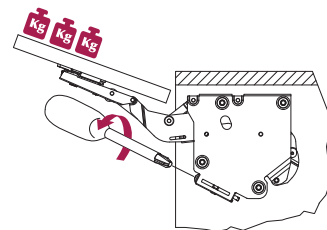
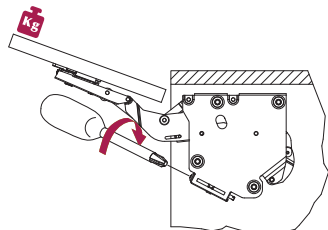


Front & Back



Up & Down

Force of opening or closing Adjustment:-



CS AV700

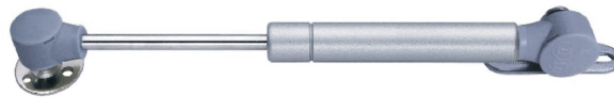




ALTERNATIVE OPENINGS

GAS SPRING STAY WITH BRACKET

For Wooden and Aluminium Door
UOM : PC



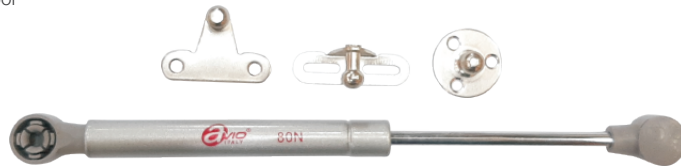
CS H7008NK



CS H7012NK

GAS SPRING STAY WITH BRACKET

For Wooden and Aluminium Door
UOM : PC



CS H9008NK



CS H9012NK



CS H9015NK



CS H9018NK

GAS SPRING WITH FITTINGS

For Wooden and Aluminium Door
Feature : Soft Closing
UOM : PC



CS H9608.NK



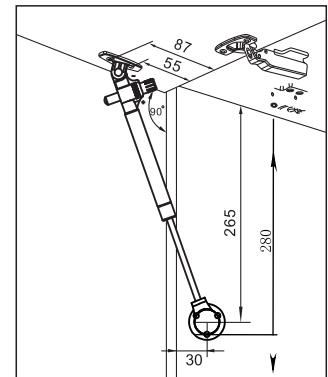
CS H9612.NK



CS H9615.NK



T=Thickness of door side panel
Note:Panel thickness+13mm=Total length



GAS SPRING STAY

Come with bracket

For Wooden and Aluminium Door
UOM : PC



CS H9708BL



CS H9712BL

SOFT DOWN STAY

Come with bracket
For wooden & aluminium door

Loading Capacity : 8kg / 15kg
UOM : PC



CS H5008NK



CS H6015NK

MOVABLE STAY

Material : Iron
Packaging : 20PCS / BOX
UOM : PC



Length : 200mm
CS 200MS

Length : 250mm
CS 250MS

FLIP STAY

Material : Iron
UOM : PC

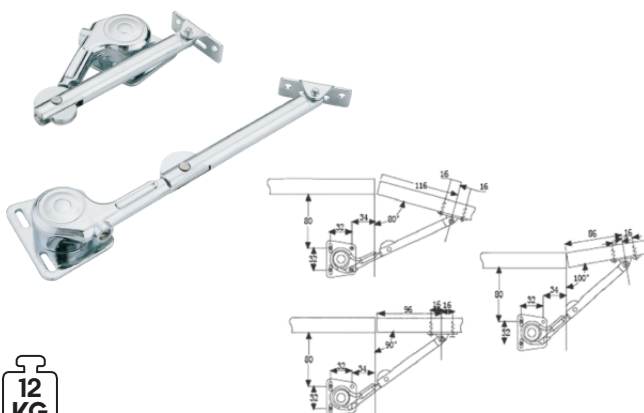


Length : 125mm
CS 125LRBS

Length : 225mm
CS 225LRBS

CABINET LID STAY

Feature : Soft Closing
Side : Left / Right
Finishing : Nickel Plated
Loading Capacity : 12kgs
UOM : PC



CS YS16



TATAMI LIFT MECHANISM (CENTER MOUNTED)

Feature : Soft Closing
Length : 275mm
Loading Capacity : 10kgs / PC
UOM : PC



CS AS230



TATAMI LIFT MECHANISM (SIDE MOUNTED)

Feature : Soft Closing
Size: L313 x W47mm
Loading Capacity : 10kgs / PC
UOM : PC

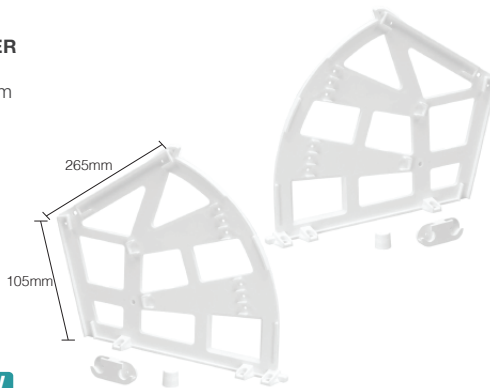


CS AS210



SHOE RACK HOLDER

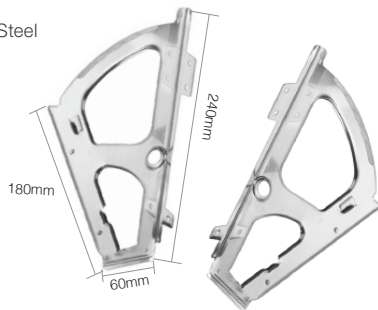
Size : W105 x L265mm
Finishing: White
UOM : ST (2pcs)



MISC FSR268.W

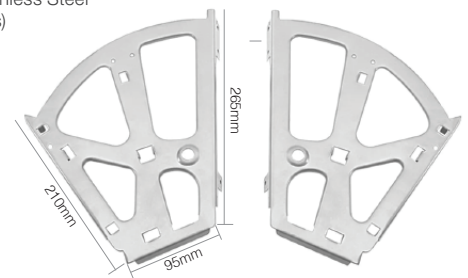
SHOE RACK HOLDER

Material : Steel
Finishing : Stainless Steel
UOM : ST (2pcs)



SHOE RACK HOLDER

Material : Steel
Finishing : Stainless Steel
UOM : ST (2pcs)

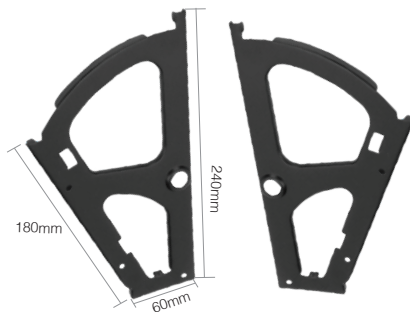


CLH MK.SR40.S.SS

CLH MK.SR45.D.SS

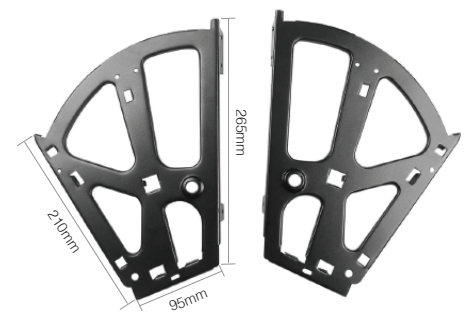
SHOE RACK HOLDER

Material : Steel
Finishing : Black
UOM : ST (2pcs)



SHOE RACK HOLDER

Material : Steel
Finishing : Black
UOM : ST (2pcs)



CLH MK.SR50.S.BL

CLH MK.SR55.D.BL