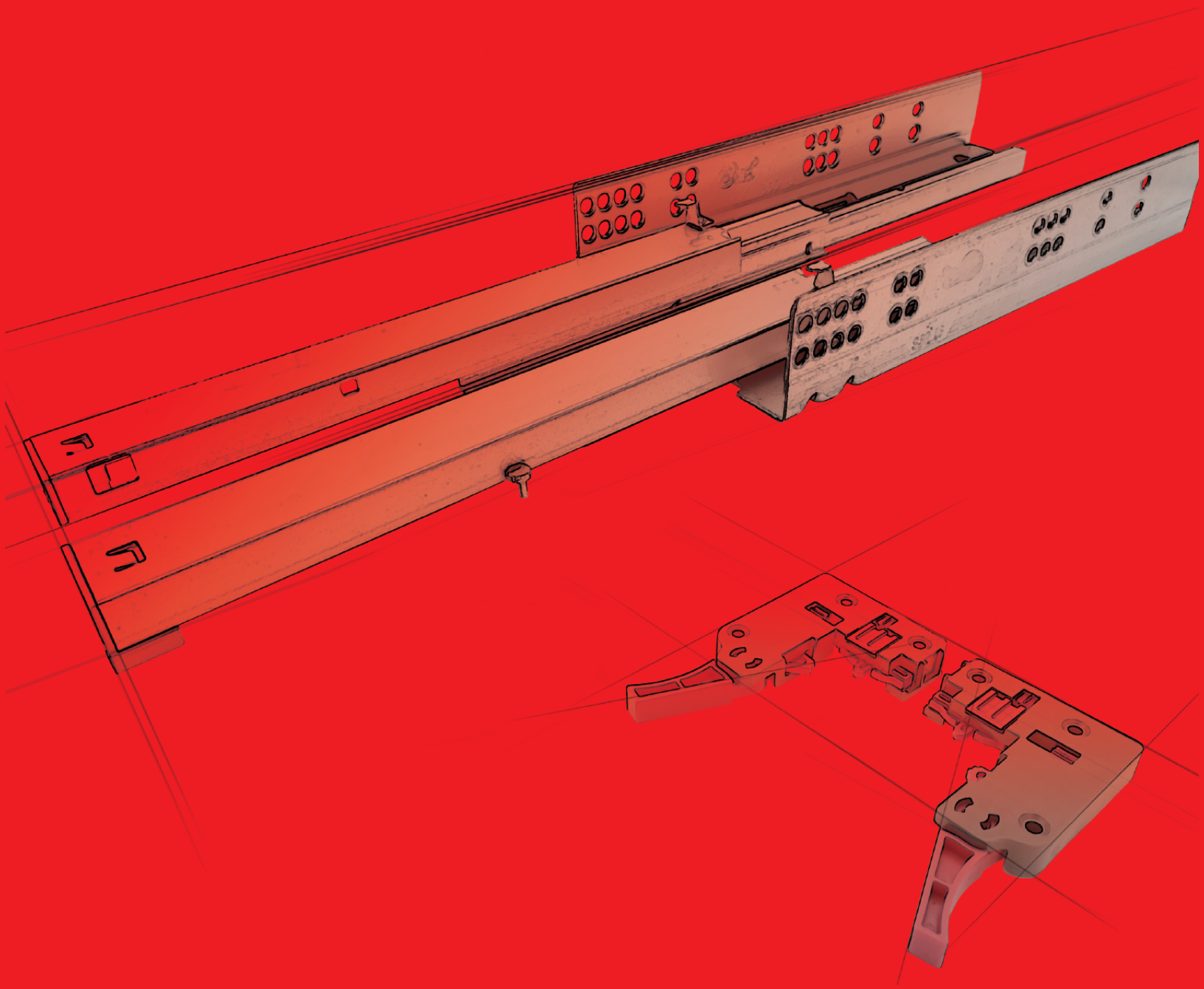




DRAWER SLIDES





DRAWER SLIDES

FULL EXTENSION SLIDE

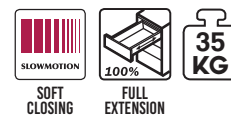
Width: 45mm
Thickness: 0.8mm
Length: 200 - 500mm
Loading Capacity: 30kgs
Finishing: Black
Packaging: 20PRS / CTN
UOM: PR



DS NDL4308

FULL EXTENSION SLIDE

Feature: Soft Closing
Width: 45mm
Thickness: 1.2mm
Length: 250 - 550mm
Loading Capacity: 35kgs
Finishing: Black
Packaging: 20PRS / CTN
UOM: PR



DS ND68

FULL EXTENSION SLIDE

Width: 53mm
Thickness: 1.95 x 1.95 x 1.95mm
Length: 450 / 600 / 710 / 760 / 910mm
Loading Capacity: 100kgs
Finishing: Black
Packaging: 10PRS/CTN
UOM: PR



DS NY5320

FULL EXTENSION SLIDE

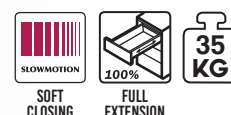
Width: 45mm
Thickness: 1.2mm
Length: 200 - 600mm
Loading Capacity: 30kgs
Finishing: Black
Packaging: 20PRS / CTN
UOM: PR



DS ND4512

FULL EXTENSION SLIDES

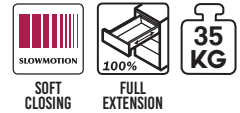
Feature : Soft Closing
Thickness : 1.0 x 1.0 x 1.2mm
Length : 400 - 500mm
Material : 201 Stainless Steel
 Bearing 201 Stainless Steel
Loading Capacity : 35kgs
Finishing : Polished Stainless Steel
Packaging : 20PRS / CTN
UOM : PR



DS NY93

FULL EXTENSION UNDERMOUNT SLIDE WITH HANDLES

Feature : Soft Closing
Thickness : 1.8 x 1.4 x 1.0mm
Length : 250 - 600mm
Loading Capacity : 35kgs
Finishing : Zinc
Packaging : 10PRS / CTN
UOM : PR



DS AS150

LOCKING HANDLE

For AS150 Full Extension Undermount Slide



DS ACC.AS150.HDL

3D LOCKING HANDLE

For AS150 Full Extension Undermount Slide



DS ACC.AS150.3D.HDL

LOCKING HANDLE

For AS150 Full Extension Undermount Slide

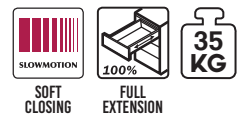
Feature: Soft Closing



DS ACC.AS150.3D2.HDL

FULL EXTENSION SOFT CLOSING SYNCHRONIZE UNDERMOUNT SLIDE WITH 3D HANDLE

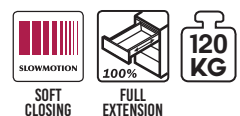
Feature : Soft Closing,
Synchronize
Thickness : 1.0 x 1.5 x 1.8 mm
Length : 250 - 600mm
Loading Capacity : 35kgs/PR
Material : Galvanized Sheet
Packaging : 10PRS / CTN
UOM : ST



DS AS210

UNDERMOUNT HEAVY DUTY SLIDES

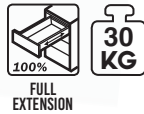
Thickness : 2.0 x 2.0mm
Length : 1850mm
Loading Capacity : 120kgs
Finishing : Black
Packaging : 2PRS / CTN
UOM : PR



DS CF47.32.BL

FULL EXTENSION SLIDES

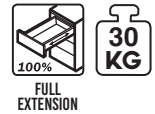
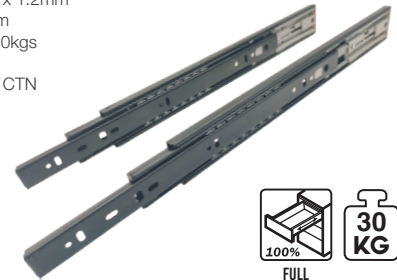
Width: 35mm
Thickness: 0.9 x 0.9 x 0.9mm
Length: 300 - 600mm
Loading Capacity: 30kgs
Finishing: Black
Packaging: 20PRS / CTN
UOM: PR



DS NS35

PUSH OPEN FULL EXTENSION SLIDES

Width: 45mm
Thickness: 1.0 x 1.0 x 1.2mm
Length: 300 - 500mm
Loading Capacity: 30kgs
Finishing: Black
Packaging: 15PRS / CTN
UOM: PR



DS NL72

SELF CLOSING SLIDES

Width : 38.5mm
Thickness : 0.9 x 0.9mm
Length : 300 - 600mm
Loading Capacity : 15kgs
Finishing : White / Black
Packaging : 40ST / CTN
UOM : ST



DS C708

HEAVY DUTY SLIDE FOR ALL LARDER UNIT

Feature : Soft Closing
Length : 450 - 500mm
Loading Capacity : 60kgs
Finishing : Zinc Plated
Packaging : 4PRS / CTN
UOM : PR



DS CF15.L.Z

SWING DOOR SLIDES

Length : 500 / 550mm
Material : Cold-Rolled Steel
Finishing : Black
Packaging : 10PRS / CTN
UOM : PR



PSH CF96

TV SLIDE

Length : 300 - 500mm
Finishing : Black
Packaging : 12PRS / CTN
UOM : PR



PSH CF90

ADJUSTABLE WARDROBE MIRROR SLIDE

Mirror Width : Max 600mm
Mirror Height : Max 1310mm
Loading Capacity : 10kgs
Finishing : Zinc
UOM : ST



BPU LWM48

TWO WAY SLIDE

Width : 27mm
Length : 450 / 500mm
Loading Capacity : 15kgs
Finishing : Black Zinc
UOM : PR



DS T27

TABLE TUNNER

Material : Aluminium
UOM : PC

Dia (mm)	L.Capacity (kg)
120	15
200	20
300	25
350	30
400	40
450	60
600	80-90
800	150



TN_DAL

BEARING SWIVEL PLATE

Size : L190 x W190mm
Finishing : Black
UOM : PC

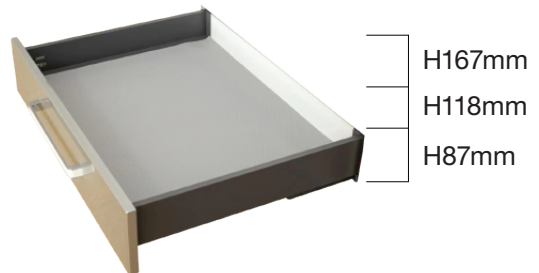


TN C111.BL

DOUBLE WALL METAL DRAWER SLIDES

Feature : Front convenient fine adjustment mechanism
Up & down ± 1.5 mm; left & right ± 1.5 mm
Synchronization mechanism of the slides stabilize the sliding motion
Silent Mechanism

Length : 500mm
Height : 84 / 118 / 167mm
Loading Capacity : 40kgs
Finishing : Storm Grey
UOM : ST



H167mm

H118mm

H87mm



SOFT CLOSING



FULL EXTENSION



40 KG

DS AD35.H.500.SG

SLIDE GALLERY RAILING

Length : 500mm
Finishing : Storm Grey
UOM : PR



DS AD35.R.500.SG

INNER DRAWER FRONT PANEL

Length : 600 / 800 / 900mm
Finishing : Storm Grey
UOM : PC



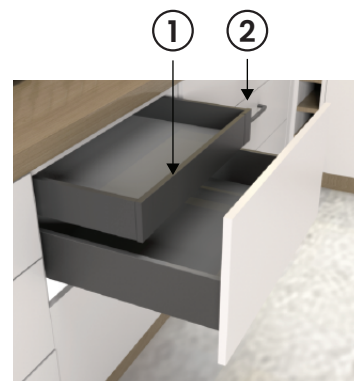
DS AD35.FLP.L.SG

INNER DRAWER FRONT CONNECTOR

Height : 86 / 116 / 167 / 199mm
Finishing : Storm Grey
UOM : PC



DS AD35.FPC.L.SG





DRAWER SLIDES

SIDE HEIGHTENED SQUARE BARS & CONNECTOR

Length : 500mm
Finishing : Storm Grey
UOM : PC



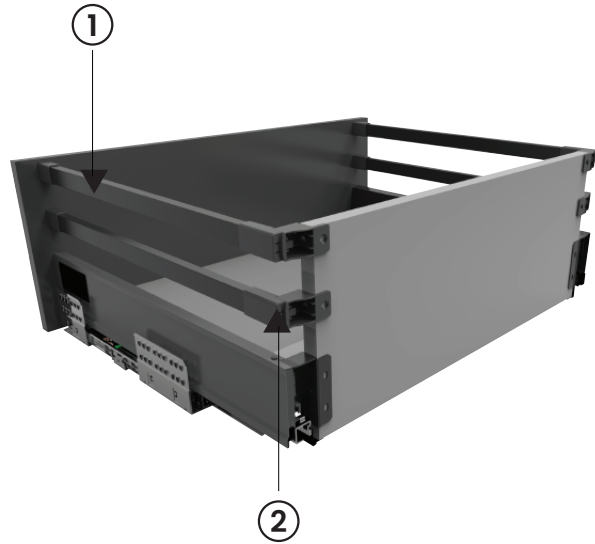
DS AD35.SQR.500.SG

HEIGHTENED SQUARE BARS CONNECTOR

Finishing : Storm Grey
UOM : PC



DS AD35.SQC.SG



INNER DRAWER FRONT CONNECTOR

Length : 86 / 118 / 167 / 199mm
Finishing : Storm Grey
UOM : PC



DS AD35.FPC.L.SG

FRONT HEIGHTENED SQUARE BAR

Length : 600 / 900mm
Finishing : Storm Grey
UOM : PC



DS AD35.FHP.L.SG

INNER DRAWER FRONT PANEL

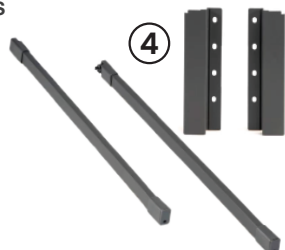
Length : 600 / 800 / 900mm
Finishing : Storm Grey
UOM : PC



DS AD35.FLP.L.SG

SIDE GALLERY RAILINGS

Length : 500mm
Finishing : Storm Grey
UOM : PR



DS AD35.R.500.SG

