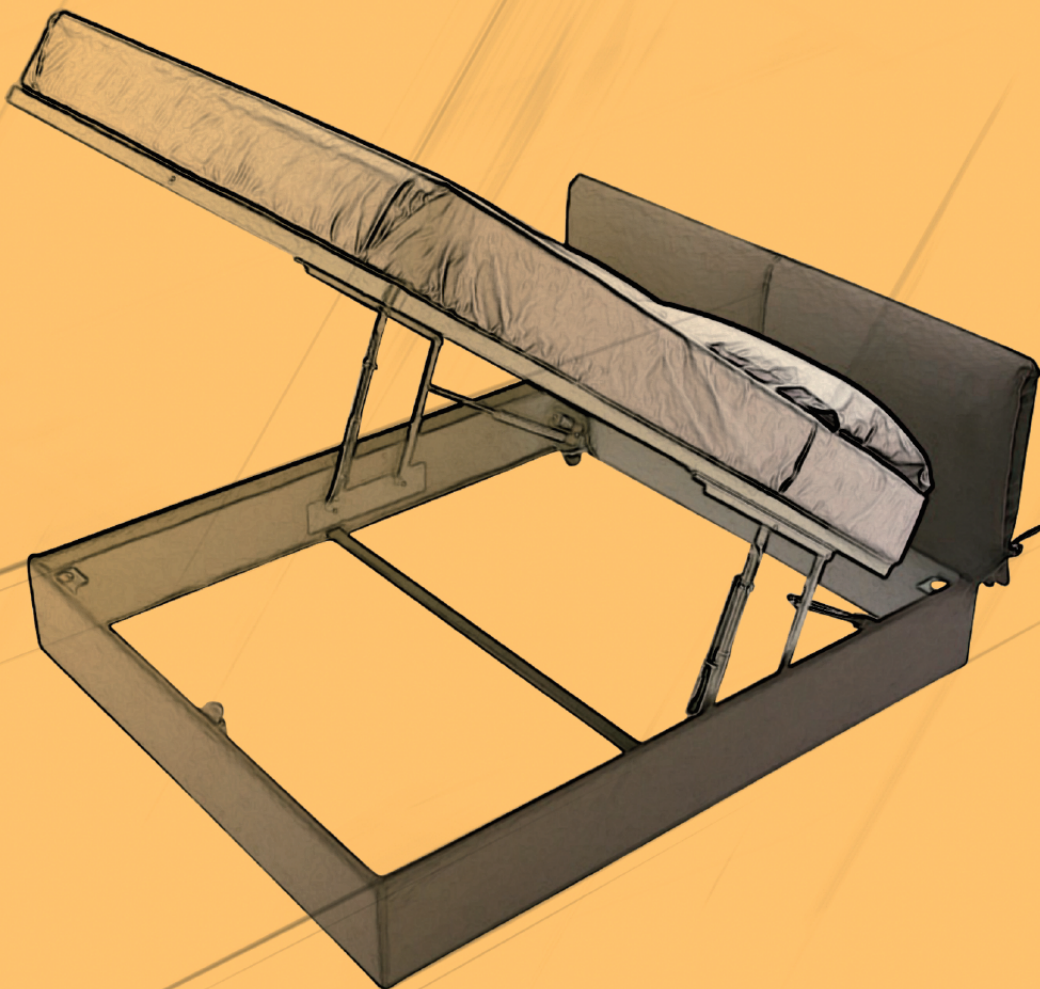


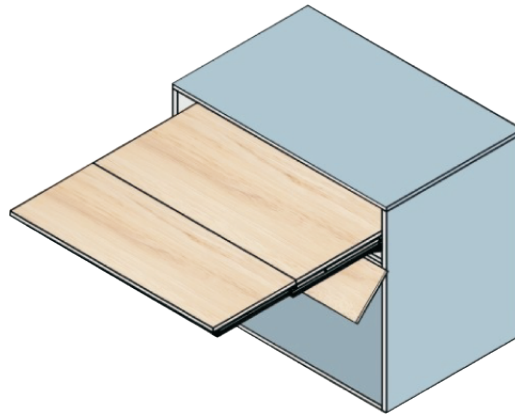


SPACE SAVING MECHANISMS



INVISIBLE TABLE FITTING

Size: D555 X W600-1200 X H146MM
Extendable size: 712mm
Material: Aluminium
Loading Capacity: 30kgs
UOM: ST



TH AD500



EXTENDABLE TABLE FITTING

Size: D555 X W600-1200 X H170MM
Extendable size: 1378mm
Material: Aluminium
Loading Capacity: 70kgs
UOM: ST

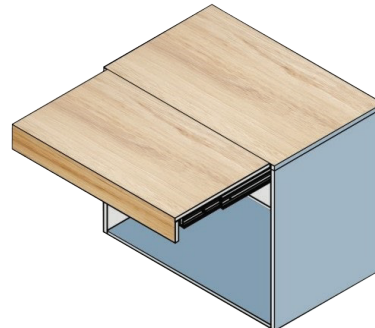


TH AD600



INVISIBLE TABLE FITTING

Size: D555 x W600-1200 X H170mm
Extendable size: 500mm
Material: Aluminium
Loading Capacity: 40kgs
UOM: ST

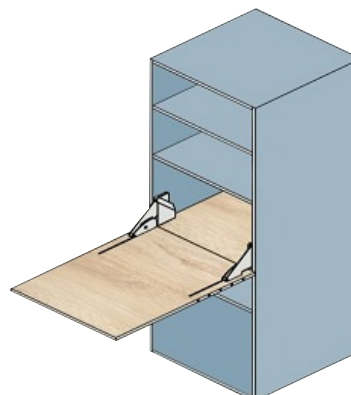


TH AD700



TABLE FITTING

Size: D555 x W600-1200 x H170mm
Extendable size: 500mm
Material: Aluminium
Loading Capacity: 40kgs
UOM: ST



TH AD800



**ADJUSTABLE TABLE LIFT UP MECHANISM
COME WITH SOFT CLOSING**

Width: 465 - 810mm
Material: Iron
Loading Capacity: 40kg
 *(Table top Weight: 6-8kgs
 to enable soft closing
UOM: ST



TH AS201



**ADJUSTABLE TABLE LIFT UP MECHANISM
COME WITH SOFT CLOSING**

Material: Iron
Loading Capacity: 120kg
UOM: ST



TH AS202



EXTENDABLE TABLE MECHANISM

Size: L620 x W50 x T26mm
Material: Iron
Loading Capacity: 30kg
UOM: ST



TH AS301



DINING TABLE TELESCOPIC LIFT SLIDE

Material: Aluminium Alloy
Loading Capacity: 25kg
UOM: ST



TH AB520



EXTENDABLE TABLE FITTINGS

Size: L350 x W58mm
Material: Aluminium Alloy
Loading Capacity: 30kg
UOM: ST



TH AS302



SWIVEL TABLE FITTINGS

Material: Zinc Alloy
UOM: ST



TH AS303

**FOLDING STOOL FITTINGS
 COME WITH SOFT CLOSING**

Size: L373 X W51mm
Material: Iron
Loading Capacity: 80kg
UOM: ST

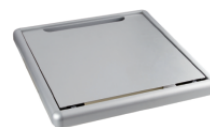


TH AS304



FOLDING STOOL SET

Size: L400 X W38 X H700mm
Material: Aluminium Alloy
Loading Capacity: 80kg
UOM: ST

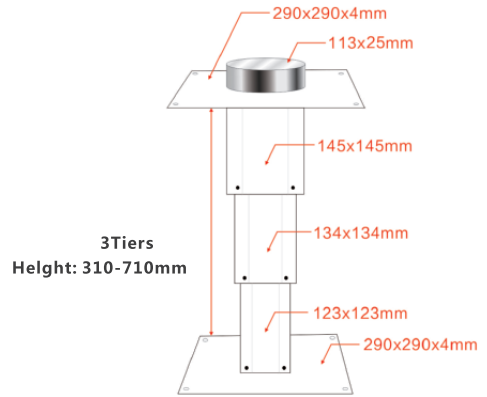


TH AS208



TATAMI LIFT MECHANISM (MANUAL)

Size: MIN H310MM
MAX H710MM
Material: Aluminium Alloy
Loading Capacity: 80kg
UOM: ST



3Tiers
Height: 310-710mm

TH AS209



**HINGE FOR DRESSING TABLE
COME WITH SOFT CLOSING**

Size: L70 X W54mm
Material: Zinc Alloy
Loading Capacity: 3-7 kg
Colour: White / Black
UOM: ST

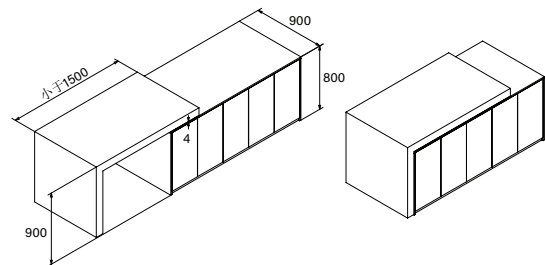
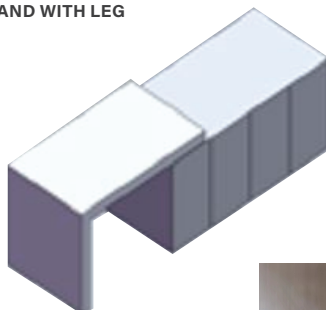


TH AS212



VERTICAL KITCHEN ISLAND WITH LEG

Size: Track Length 1500cm
Bracket 280*2
UOM: ST



TH AL900.1500

Vertical Kitchen Island With Leg

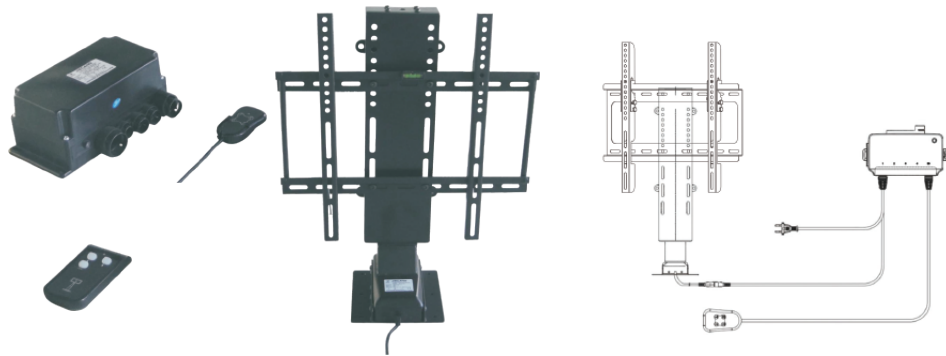


TV LIFT MECHANISM C/W 1000MM STROKE,LIFTING COLUMN CONTROL BOX,HANDSET,REMOTE CONTROLLER AND PARTS

For TV Size: 25"-50"
Input voltage: 110V/230V wide voltage
Loading capacity: 60kgs
UOM: ST

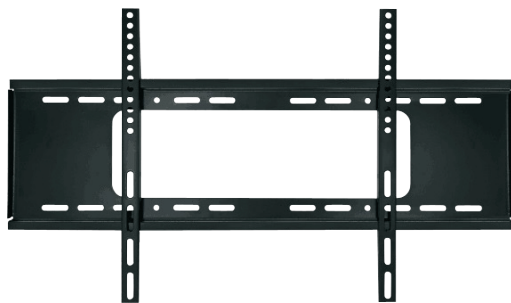


TN J35.1000.BL



TV WALL MOUNT HOLDER

UOM: ST



Size: W470 X H210 X T1.5mm
TV Size: 26 " -55 " (50kgs)

TN Y508.BL



Size: W690 X H220 X T1.5mm
TV Size: 30 " -65 " (60kgs)

TN Y509.BL



Size: W640 x H225 x T1.5mm
TV Size: 32"-75" (75kgs)

TN Y510.BL



ADJUSTABLE TABLE LIFT UP MECHANISM

Width: 465-810mm
Material: Iron
Loading Capacity: 40kg
UOM: ST



TH AS200

PULL OUT TABLE FITTING

Loading Capacity: 35 KGS
UOM: ST



TH AB510

FOLDING TABLE SYSTEM

Size: L600 x W1220 x H750mm
Loading Capacity: 150-200kg
UOM: ST

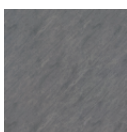


150-200
KG

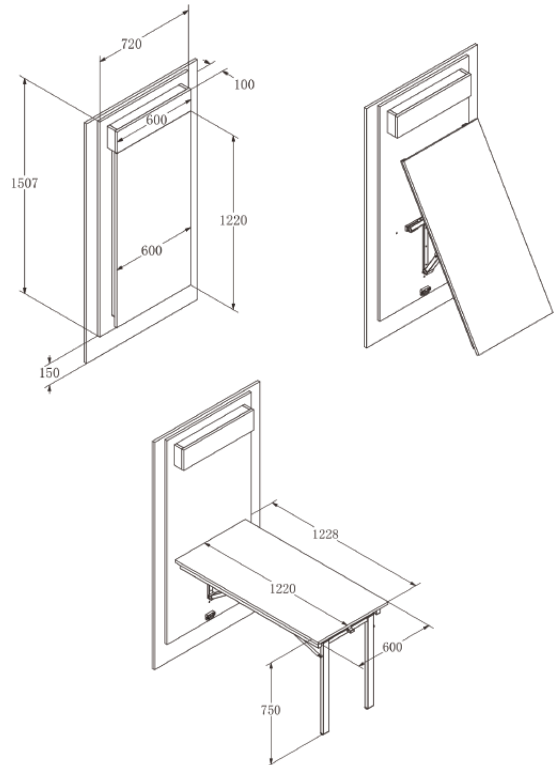
BH AJA.12260.V

BH AJA.12260.V.WOOD - Wood-carcass

Wood Colour
YM8026



FOLDING & UNFOLDING DIMENSION:-



BH AJA.12260.V

FOLDING TABLE SYSTEM

Size: L750 x W900 x H750mm
Loading Capacity: 150-200kg
UOM: ST

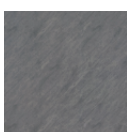


150-200
KG

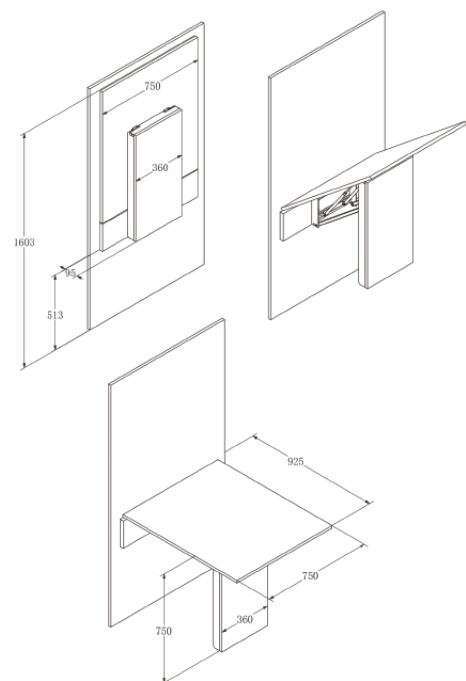
BH ANE.9075

BH ANE.9075.WOOD - Wood-carcass

Wood Colour
YM8026



FOLDING & UNFOLDING DIMENSION:-



BH ANE.9075



VERTICAL WALL-BED WITH BOOKSHELF SYSTEM

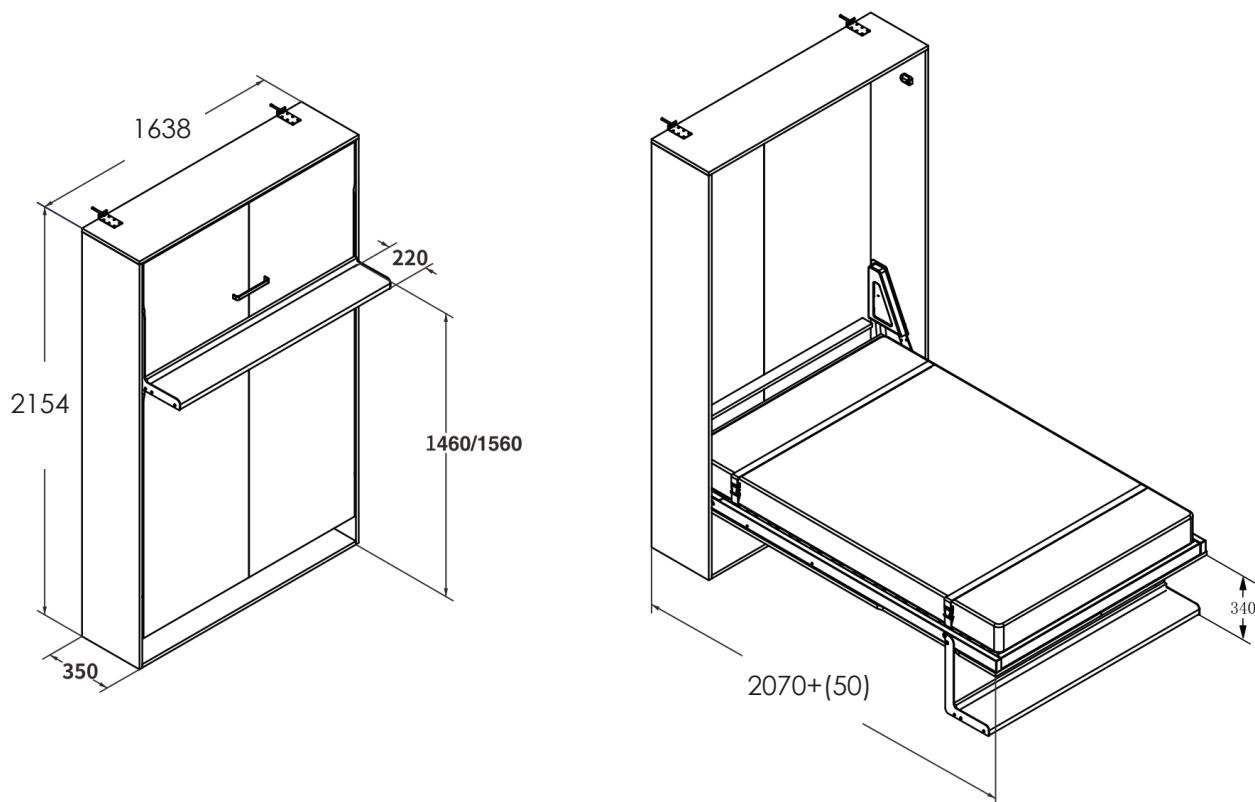
Mattress size: W1.5 x L1.9m
Mattress weight: 32-36kg
Mattress Thickness: ≤150mm
Loading Capacity: 500kg
UOM: ST

BH ACA.150190.V

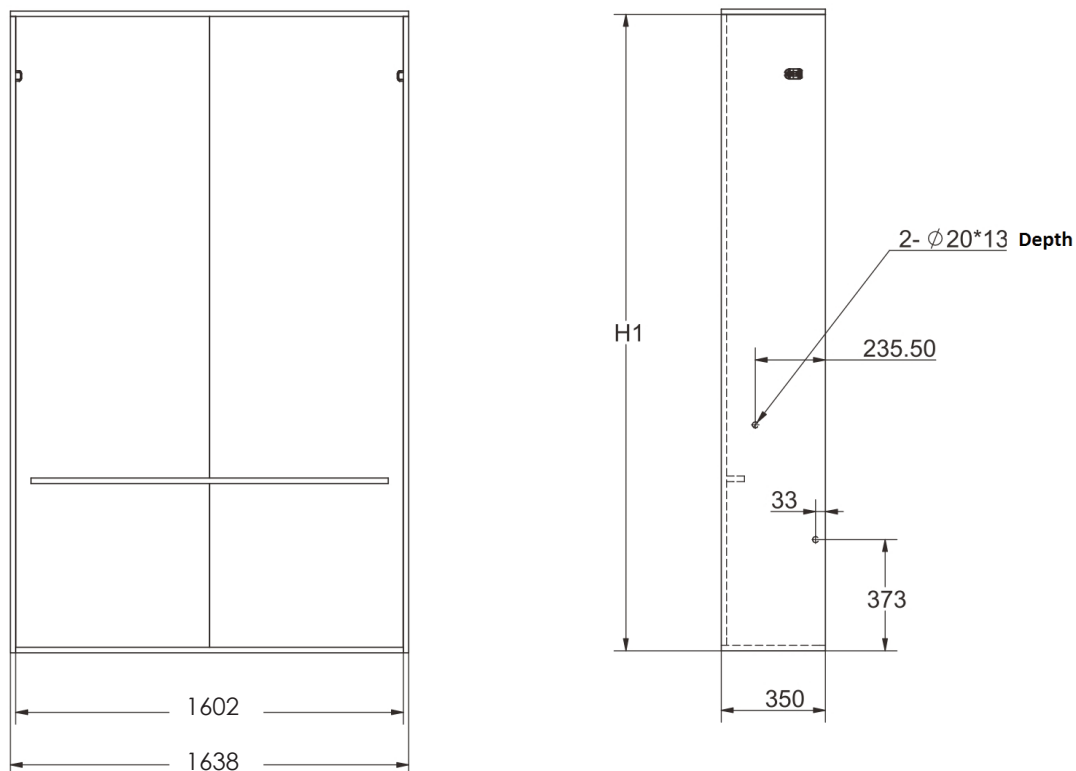
BH ACA.150190.V.WOOD - Wood-carcass



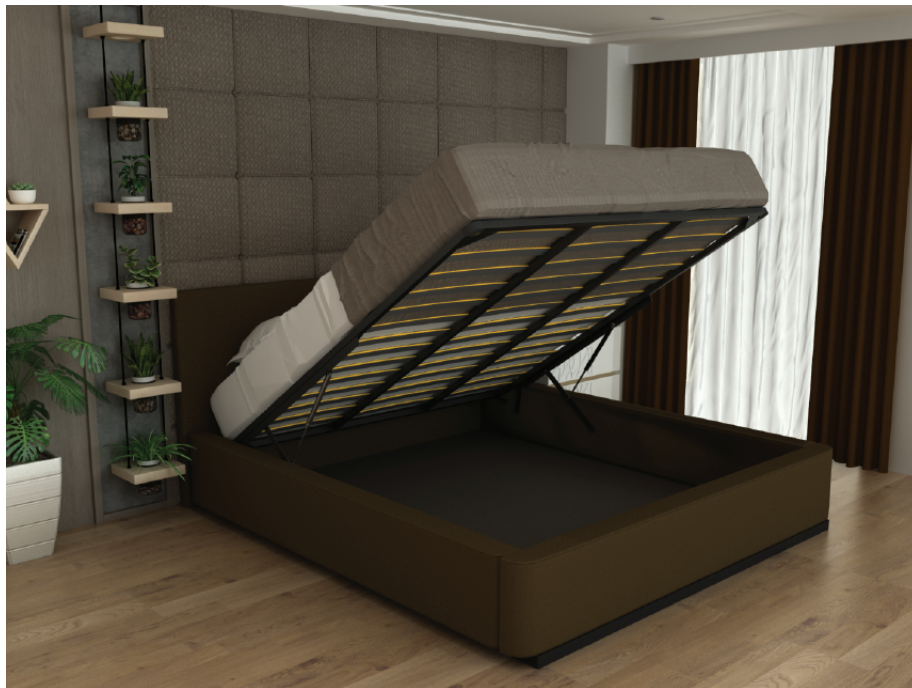
FOLDING & UNFOLDING DIMENSION:-



CABINET DIMENSION:-



BH ACA.150190.V



SLATTED BED SYSTEM

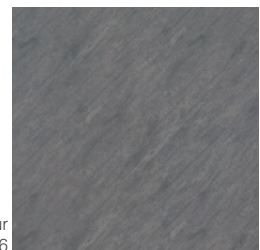
Mattress size: W1.5 x L1.9m
Mattress weight: 32-36kg
Mattress Thickness: ≤150mm
Loading Capacity: 500kg
UOM: ST

BH ALI.150190

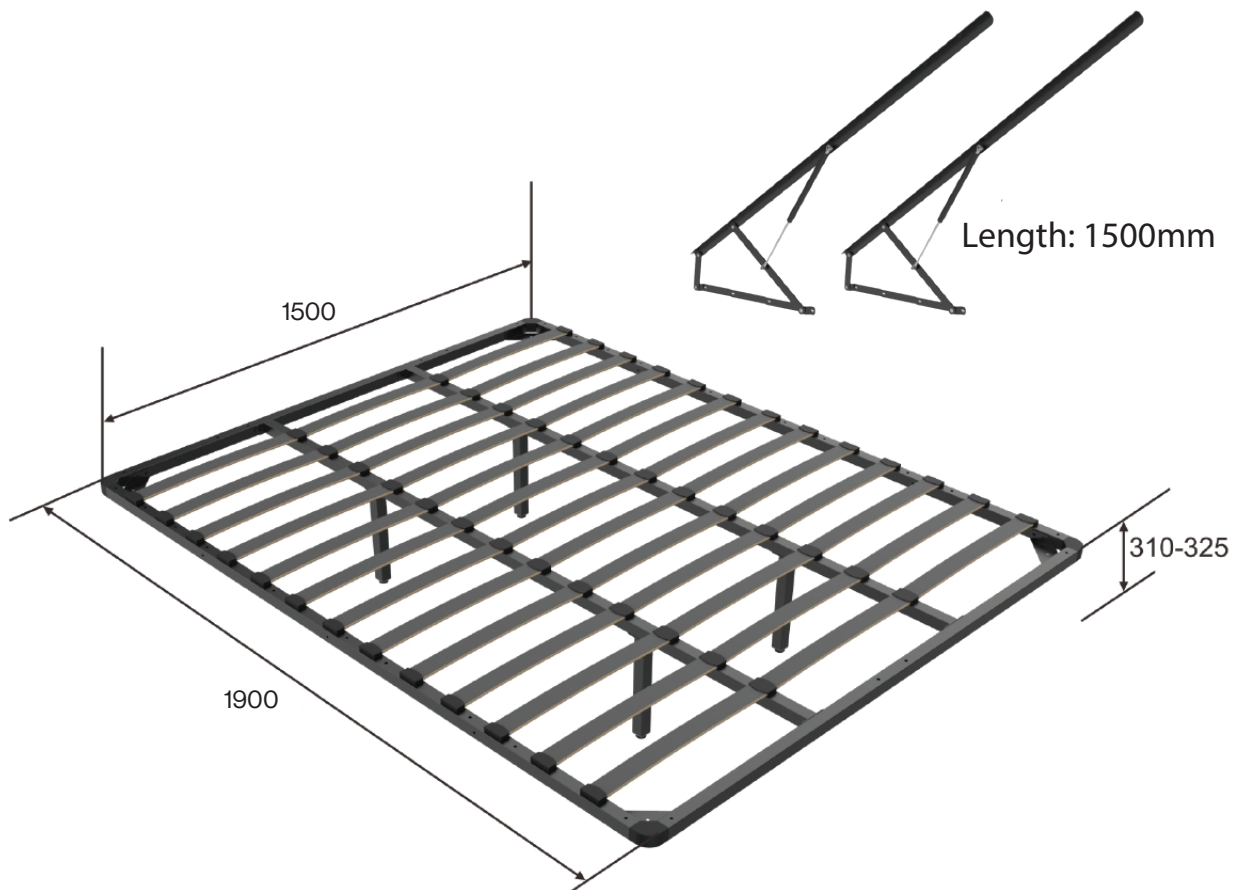


BH ALI.150190.WOOD - Wood-car cass

Wood Colour
YM8026



DIMENSION:-





**HORIZONTAL WALL-BED WITH LARDER & GUARD BAR
UPPER BED ONLY**

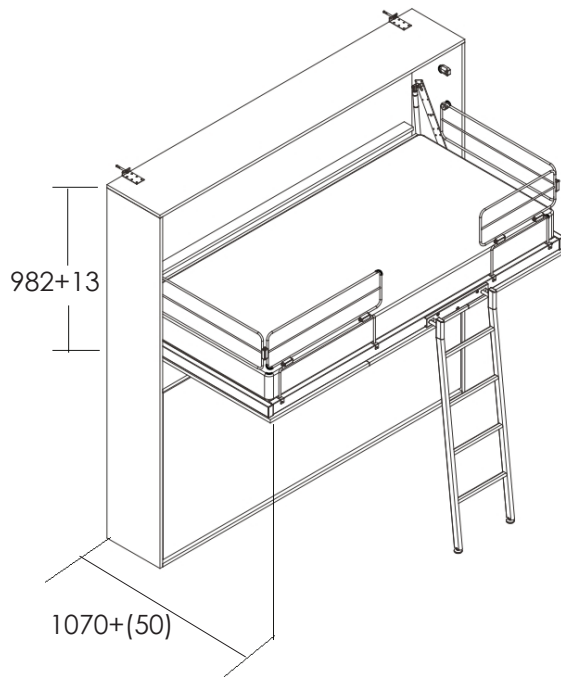
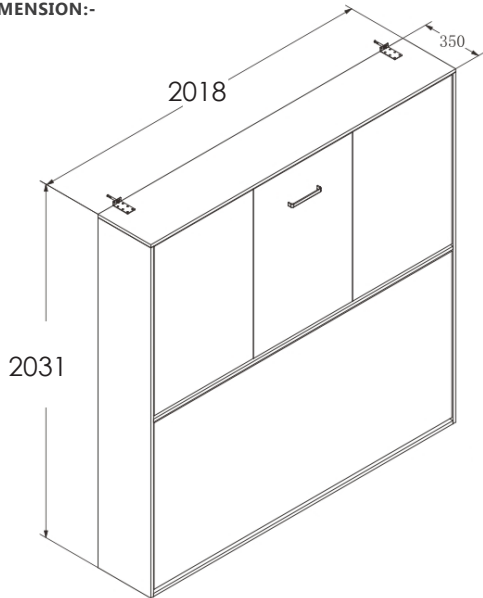
Mattress size: W0.9 x L1.9m
Mattress weight: 20-23kg
Mattress Thickness: ≤150mm
Loading Capacity: 500kg
UOM: ST

BH ATA.90190.H

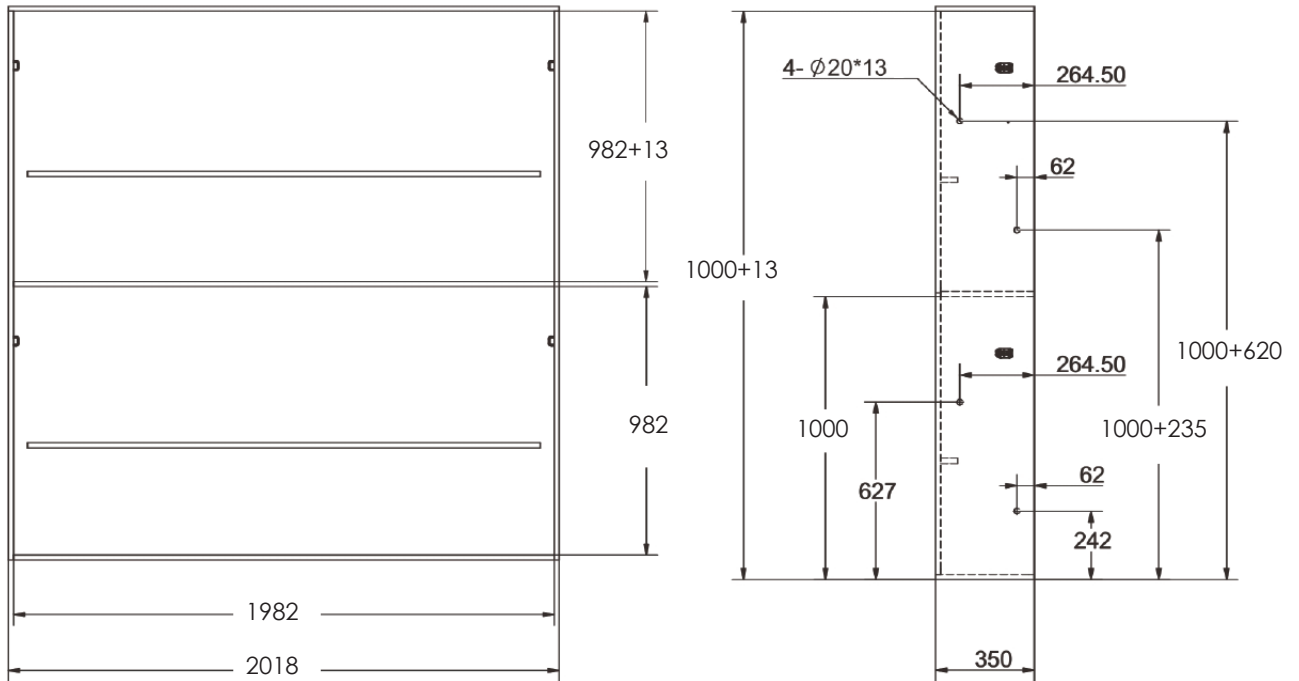
BH ATA.90190.H.WOOD - Wood-car cass



DIMENSION:-



CABINET DIMENSION:-



BH ATA.90190.H



HORIZONTAL WALL-BED WITH HANGING DESK

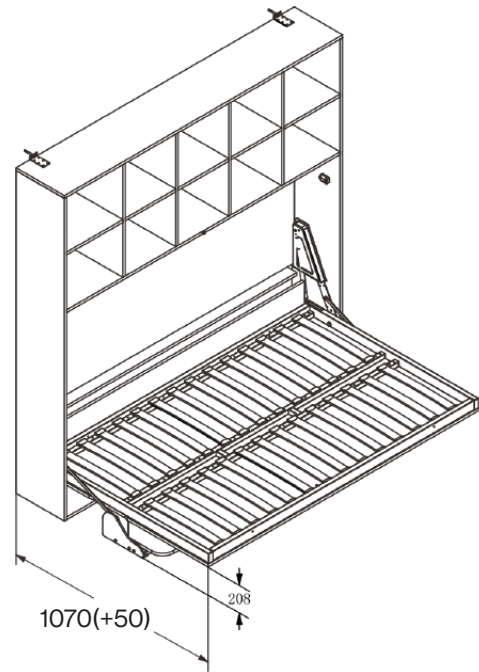
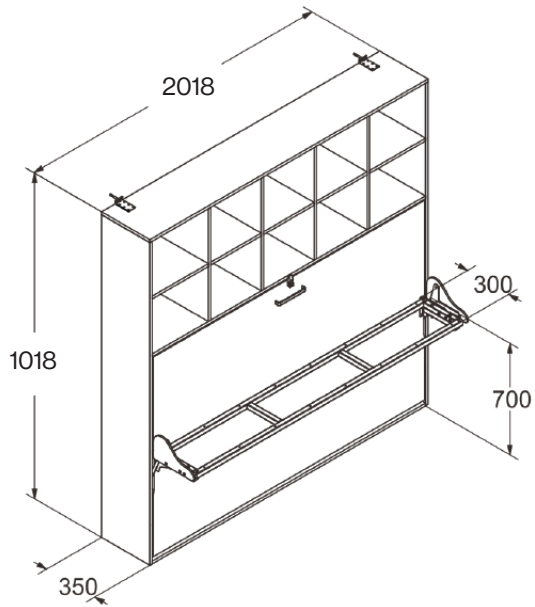
Mattress size: W0.9 x L1.9m
Mattress weight: 20-23kg
Mattress Thickness: ≤150mm
Loading Capacity: 500kg
UOM: ST

BH AVE.90190.H

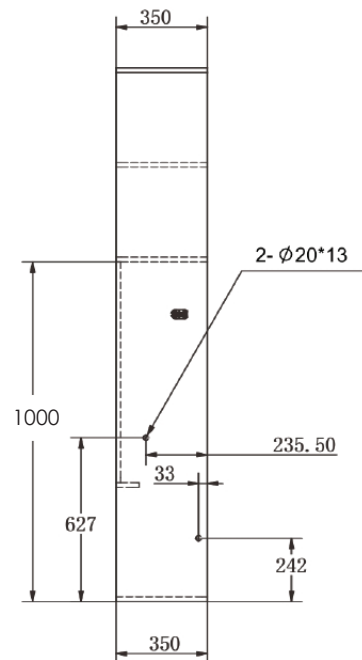
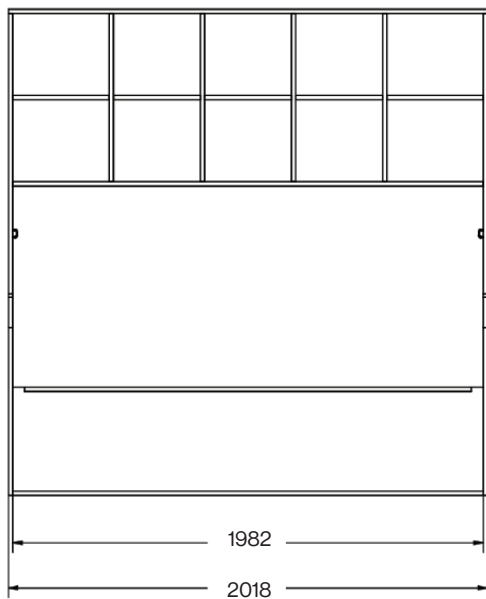
BH AVE.90190.H.WOOD - Wood-carcass



FOLDING & UNFOLDING DIMENSION:-



CABINET DIMENSION:-





HORIZONTAL WALL-BED SYSTEM

Mattress size: W0.9 x L1.9m
Mattress weight: 20-23kg
Mattress Thickness: ≤150mm
Loading Capacity: 500kg
UOM: ST

BH AEL.90190.H



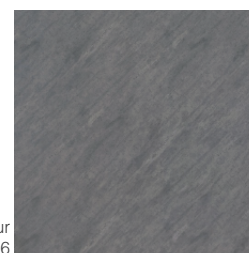
BH AEL.90190.H.WOOD - Wood-carcass

HORIZONTAL WALLBED MECHANISM ONLY

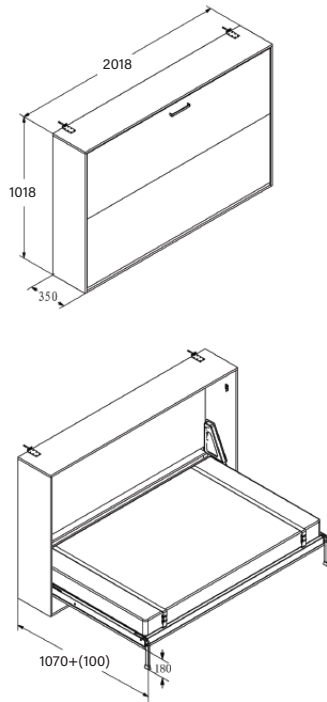
Loading Capacity: Mattress 20-23 KG
UOM: ST

BH AEL.107190.H

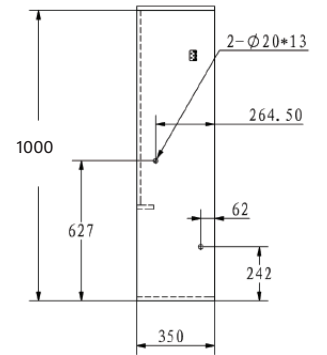
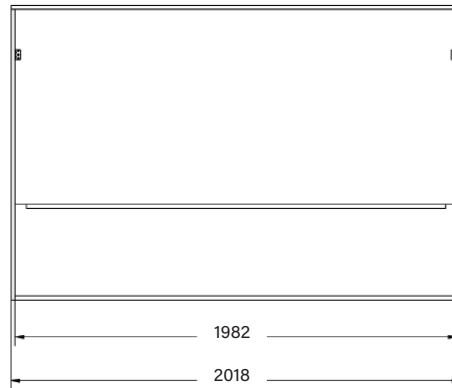
Wood Colour
 YM8026



FOLDING & UNFOLDING DIMENSION:-

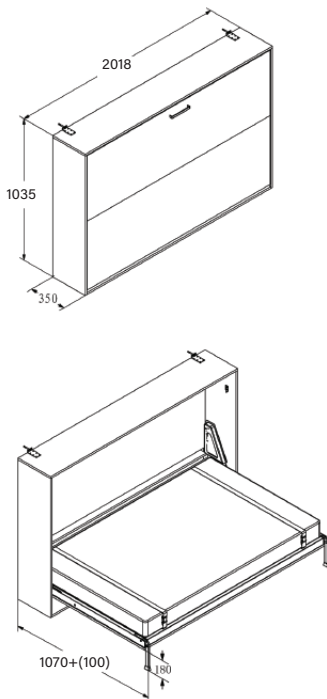


CABINET DIMENSION:-

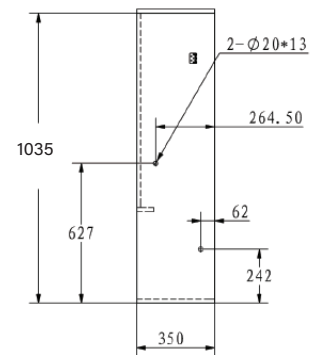
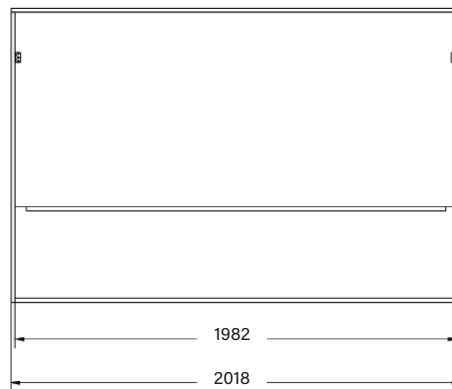


BH AEL.90190.H

FOLDING & UNFOLDING DIMENSION:-



CABINET DIMENSION:-



BH AEL.107190.H



VERTICAL WALL-BED SYSTEM

Mattress size: W0.9 x L1.9m
Mattress weight: 20-23kg
Mattress Thickness: ≤150mm
Loading Capacity: 500kg
UOM: ST

BH AEL.90190.V



BH AEL.90190.V.WOOD - Wood-car carcass

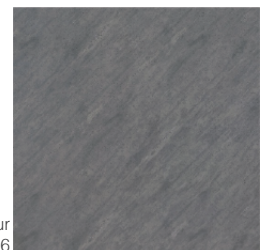
VERTICAL WALLBED MECHANISM ONLY

Loading Capacity: Mattress 20-23 KG
UOM: ST

BH AEL.150190.V

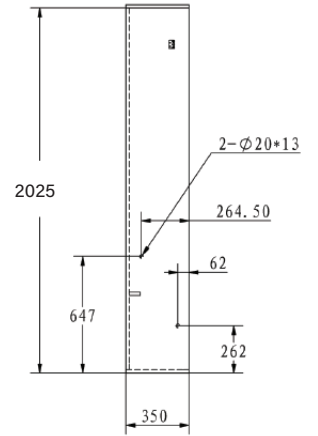
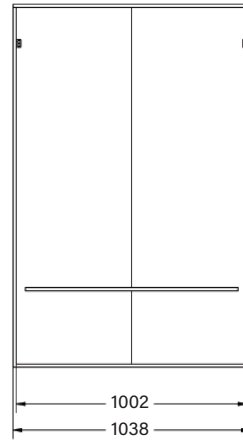
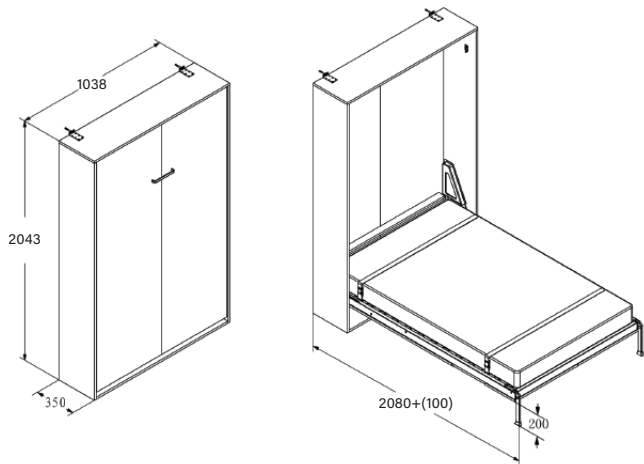
BH AEL.107190.V

Wood Colour
 YM8026



FOLDING & UNFOLDING DIMENSION:-

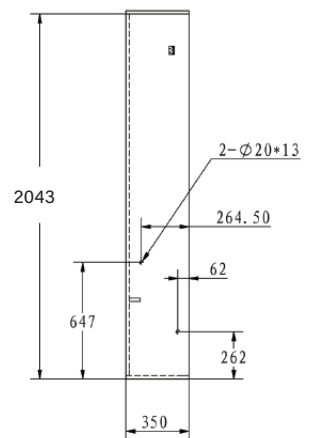
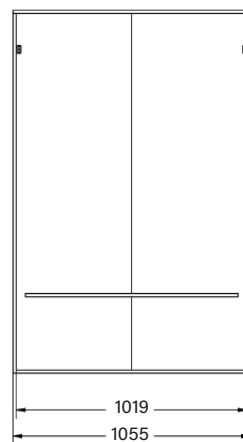
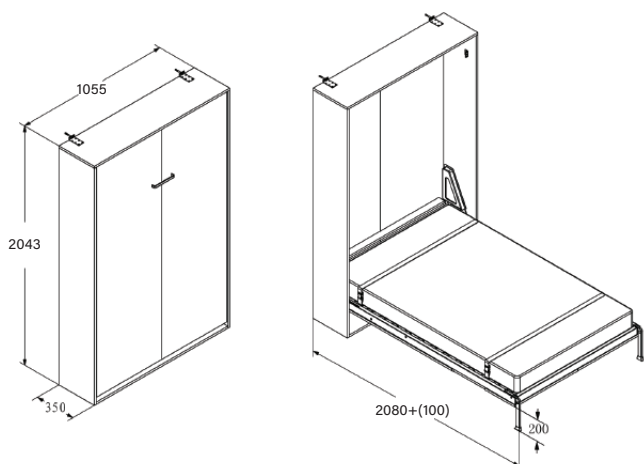
CABINET DIMENSION:-



BH AEL.90190.V

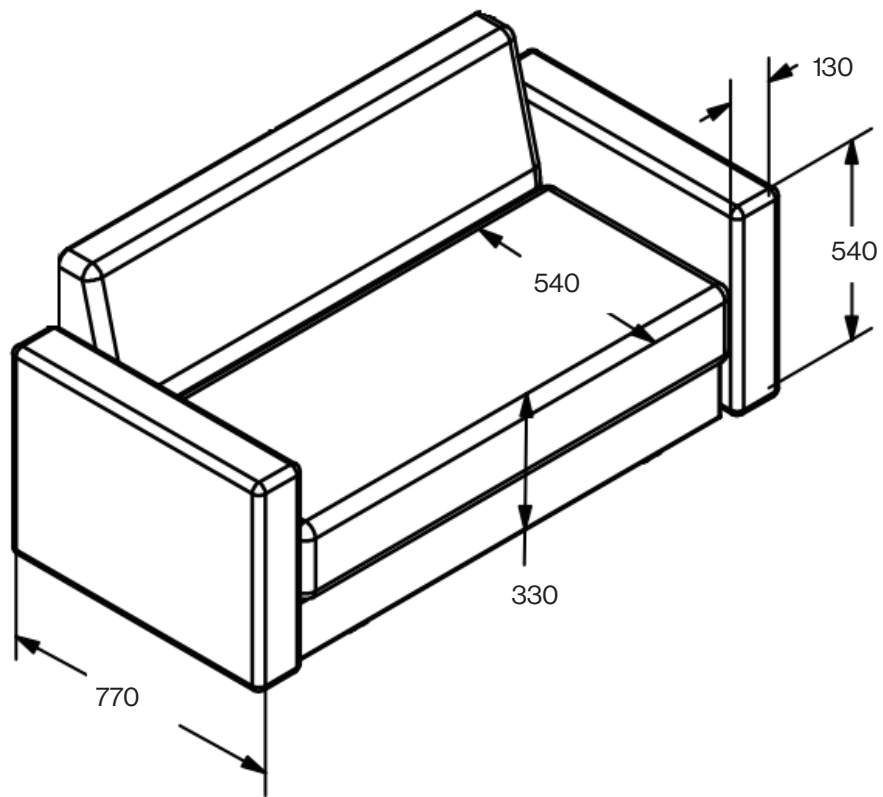
FOLDING & UNFOLDING DIMENSION:-

CABINET DIMENSION:-



BH AEL.150190.V

BH AEL.107190.V



SOFA SET

Suitable for BH-ACA-150190-V & BH-AEL-90190-H

Colour Available: Red / Grey

UOM: ST

BH ABR.150190



**VERTICAL WALL-BED SYSTEM
MECHANISM ONLY**

Mattress size: W0.9 x L1.9m
Mattress weight: 17-20kg
Mattress Thickness: ≤150mm
Loading Capacity: 500kg
UOM: ST

BH AAS.90190.V

**VERTICAL WALL-BED SYSTEM
MECHANISM ONLY**

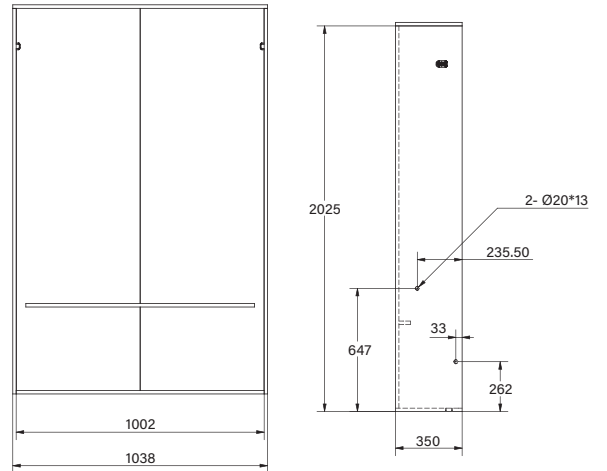
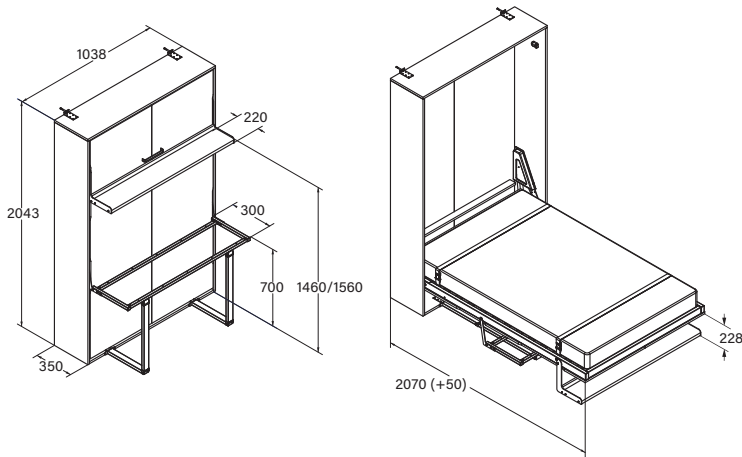
Mattress size: W1.5 x L1.9m
Mattress weight: 20-23kg
Mattress Thickness: ≤150mm
Loading Capacity: 500kg
UOM: ST

BH AAS.150190.V



FOLDING & UNFOLDING DIMENSION:-

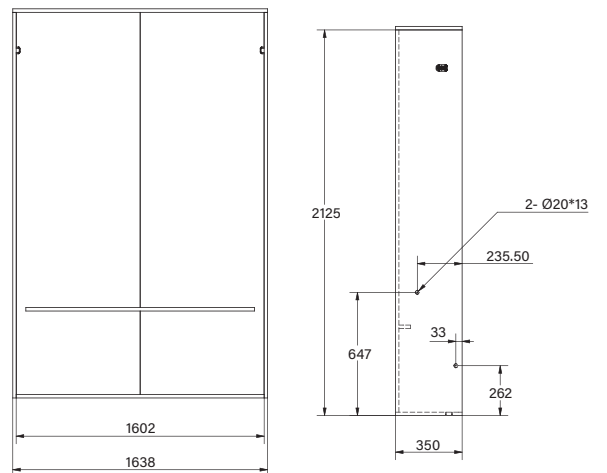
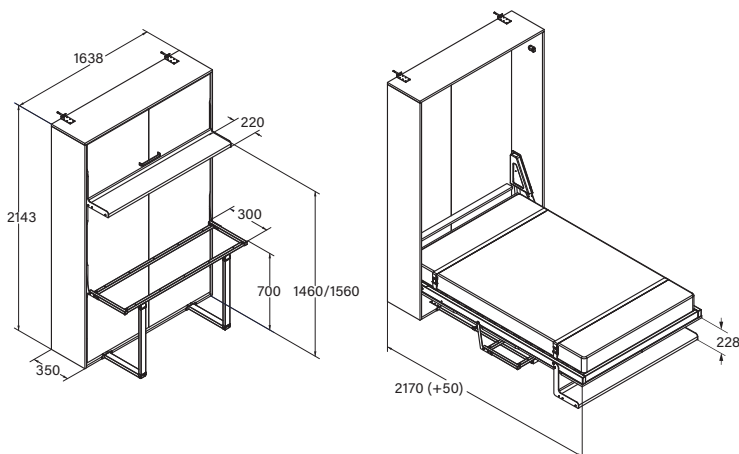
CABINET DIMENSION:-



BH AAS.90190.V

FOLDING & UNFOLDING DIMENSION:-

CABINET DIMENSION:-



BH AAS.150190.V